



ASSEMBLY AND OPERATION MANUAL

KINGFISHER 125T RETRACTABLE KIT V1.00



The Product is not intended to be operated by persons (including children) with reduced physical, sensory or mental capabilities, or lack of experience and knowledge, unless they have been given supervision or instruction concerning the operation of the Product by a person responsible for their safety.





GENERAL DESCRIPTIONS

The Product is a compact Kingfisher 125T Retractable Kit, which offers comfort and safety in any situation, both Indoor and outdoor.

It can be operated by hand, either by User or by Carer.

SAFETY GUIDELINES

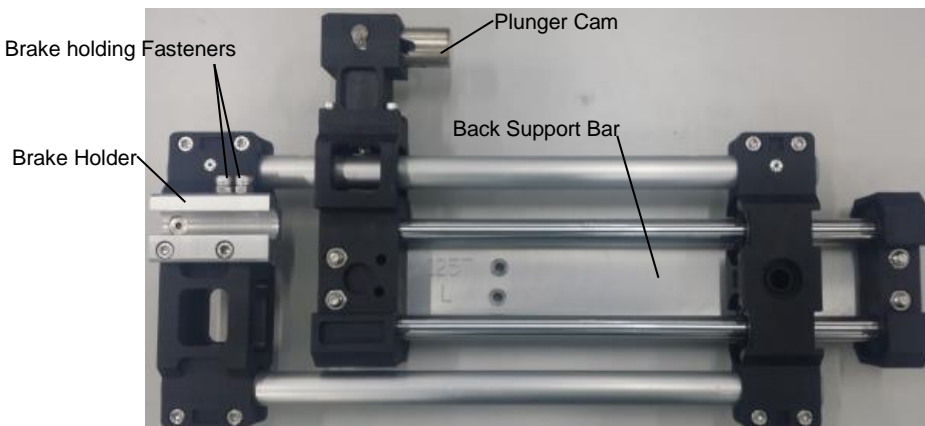
To avoid accidents and undesirable situations, it is of great importance to pay attention to the following safety instructions.

-  Be sure that no loose items hanging around moving mechanism. These could be caught between the moving parts while handling the Product.
-  Do not attempt to insert fingers or other objects into any moving parts of the Product.
-  Never operate the Product when the User is under medication as the medication could affect the ability to operate the Product properly.
-  User must have sufficient visual acuity to be able to operate the Product properly.

WINNER SG PTE LTD accepts no liability whatsoever for damage or injury caused by the failure to (strictly) adhere to the safety guidelines and instructions or else due to carelessness during the use and cleaning of the Product and possible accessories. Depending on the specific work circumstances or the accessories used, additional safety instructions may be required

All Product information including features, specifications, colour and additional information contained herein is correct at the time of publish. WINNER SG PTE LTD reserves the right to alter specifications without prior notice.

PARTS IDENTIFICATION



ACCESSORIES (INCLUDED IN PACKAGE)

1. Pack 1



M6X45 Countersunk Screw – 4pcs



M6 Self – Locking Nut – 4pcs

2. Pack 2



Wheel Spacer 150A – 1pc

3. Pack 3

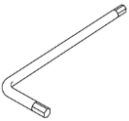


M12 Bolt – 1 pc



M12 Nut – 1 pc

LIST OF TOOLS REQUIRED (NOT INCLUDED IN THE PACKAGE)



ALLEN KEY: SIZE 4 & SIZE 6



RATCHET WRENCH: SIZE 19 & SIZE 17



COMBINATION WRENCH: SIZE 10

ASSEMBLY STEPS

1. • Loosen and remove the wheel fastener and detach the wheel from the wheel mounting plate.
(See fig.1a)
• Loosen and remove the wheel pivot plate fasteners and detach the plate from the frame of the wheelchair (See fig.1b)

Tools required: Ratchet Wrench Size 19 and Size 17, Allen Key Size 4

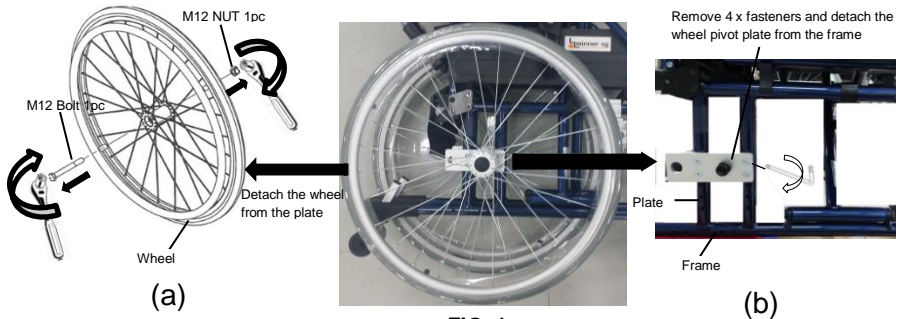


FIG .1

2. Remove the Retractable Kit and accessories pack from the packaging (See fig.2). Check all the items in the accessories pack.

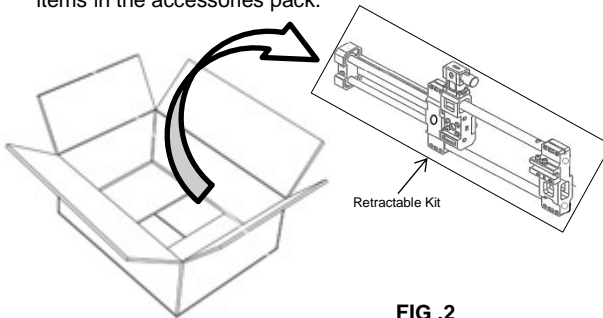


FIG .2

3. Loosen & remove 4 pcs of fasteners M8x50 and detach the Back Support Bar from the Retractable Kit. Safe Keep the fastener for step 6 (See fig.3)
Tool required: Allen Key Size 6

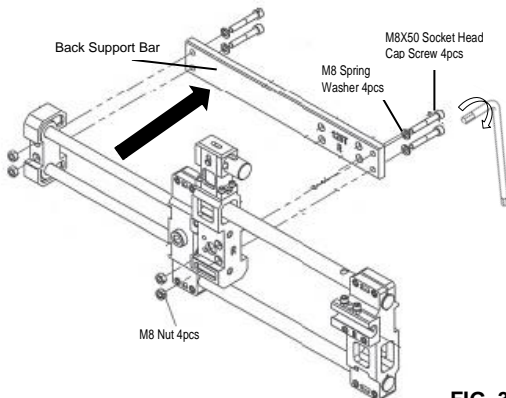


FIG .3

4. Fit the Back Support bar onto the frame of the wheelchair with fasteners provided (Accessories Pack 1). (See fig.4)
 Tool required: Allen Key Size 4

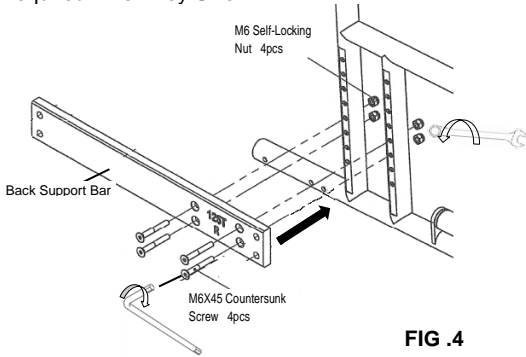


FIG .4

5. Assemble the wheel to Retractable Kit with the Wheel Spacer 150A (Accessories Pack 2) in between before fasten M12 bolt & nut (Accessories Pack 3). (See fig. 5)
 Tool required = Ratchet Wrench Size 19 and Size 17

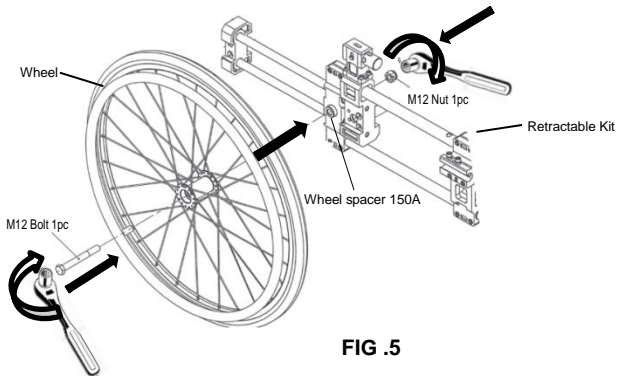


FIG .5

6. Fit the Retractable Kit mounted with wheel onto the Back Support bar by using fastener from step 3 (See fig.6)
 Tool required: Allen Key Size 6

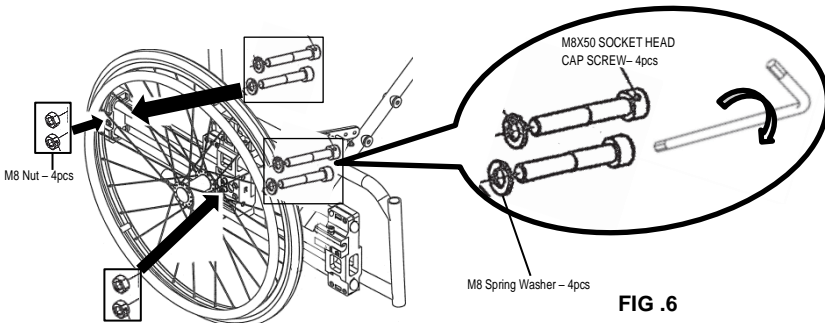


FIG .6

7. Insert the wheel lock into the brake holder and adjust the wheel lock to the correct brake friction. Tighten the brake holding fasteners. (See fig.7)

Tool required: Allen Key Size 4

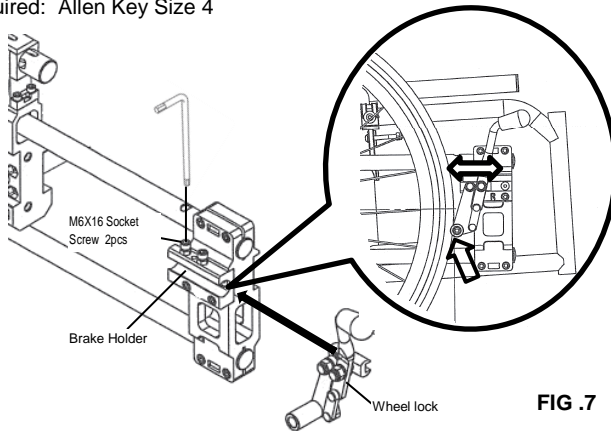


FIG .7

8. Assembly completed.

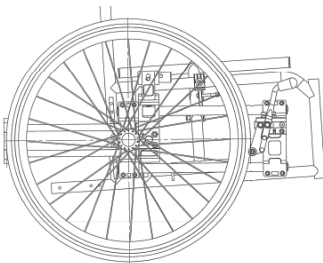


FIG .8

OPERATING INSTRUCTIONS

Steps: Retracting the wheel

- Flip armrests of the wheelchair to vertical position or 90°.
- Release the wheel lock of the wheelchair.
- Push the Plunger Cam backward to release retractable locking mechanism.
- Gently slide the wheel to the back till end stop.
- Push the Plunger Cam forward to lock retractable locking mechanism.
- Apply the wheel lock to secure the wheelchair from any sudden movement.
- User can be transferred with or without carer.

Steps: Return wheel to wheel off position

- Release the wheel lock of the wheelchair.
- Push the Plunger Cam backward to release retractable locking mechanism.
- Gently slide the wheel to the front till end stop (wheel off position).
- Push the Plunger Cam forward to lock the retractable locking mechanism.
- Apply the wheel lock to secure the wheelchair from any sudden movement.
- Flip armrests of the wheelchair back to horizontal secure position.
- Wheelchair is ready to wheel off safely.